

TB210R
1.1-TONNE



**MICRO
EXCAVATOR**

EXCAVATING EXCELLENCE

TAKEUCHI[®]
From World First to World Leader

TB210R Micro excavator

- portable and powerful

STAGE V ✓
COMPLIANT

The Takeuchi TB210R Micro is our smallest excavator weighing in at just 1180kg. Its micro dimensions enable it to pass through a normal doorway making it ideal when working with restricted access. Expands to wider tracks for added stability when digging and tracking.

The short tail TB210R has a reduced tail swing so you can slew within the machines footprint, perfect for working in tight spaces.

With excellent operating parameters for a micro digger - ground reach to 3220mm and dig depth to 1755mm.

It's size and weight make it an easy trailer-tow for convenience.

ADDED POWER

The TB210R has a 3 cylinder engine producing powerful machine performance combining with a bucket breakout force of 11.2kN and arm digging force of 6.4kN.

ADDED HOSE PROTECTION

The top mounted hydraulic boom cylinder and internally routed hoses helps avoid potential site damage. One and two-way auxiliary hydraulic circuit, plumbed to the arm, powers a wide range of attachments.

For added safety on-site the TB210R features a beacon power socket.

EASY CONTROLS

The control console features travel throttle, blade levers, ignition switch and warning lights.

Easy to drive - simple controls for any level or size of operator.

Well-positioned foot pedals - left for auxiliary port and right for offset boom swing.

Easy access dual entry points and swing-out control arms for comfortable operating.



TSS - TAKEUCHI SECURITY SYSTEM

The TB210R comes with **TSS immobiliser key** as standard. Includes 1 red master key and 3 black user keys. Can programme up to 13 user keys.

MAXIMUM SERVICE ACCESS

The TB210R features a rear fully opening engine cover, easy access to daily maintenance points and sight gauge for hydraulic oil level.

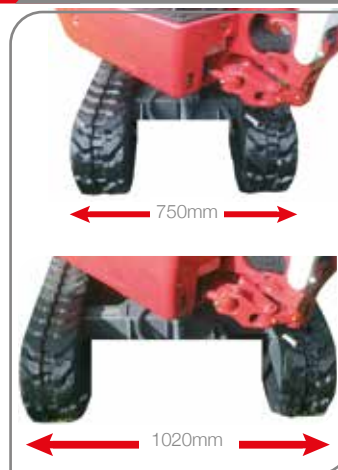
The lockable tilt-back steel engine cover and swing-out side panel secures the diesel filler point, key parts and components.



COMPATIBLE BREAKER

The TB210R is compatible with a Takeuchi TKB52 slimline hydraulic breaker.

Designed to meet the requirement for working in confined spaces including utilities and trenchwork.



EXPANDABLE TRACK FRAME

The TB210R has a unique hydraulic expanding track frame to adjust from 750mm to 1020mm allowing it to travel through narrow openings. Added track width gives greater stability.

Quick change adjustable dozer blade width to match expanded track width.

STANDARD FEATURES

(see website for the complete features list)

OPERATOR STATION

- ROPS/ TOPS
- Protective counterweight with site reflectors
- Fold-down ROPS bar (removable for access)
- Adjustable seat
- Pivot and swing-out control arms
- Pilot joystick with cushioned wrist supports
- Fold-away aux and offset foot pedals

ELECTRICAL

- 12V socket for ancillary equipment, beacon etc
- Visual indicators for high speed travel
- Travel alarm
- Workzone lighting - boom mounted

ENGINE

- Stage V Ready < 19kW low emission
- Engine preheat starting aid
- Automatic fuel bleed system
- Dual fuel filtration with water trap
- Dual element air filters
- Service interval - 250 hours



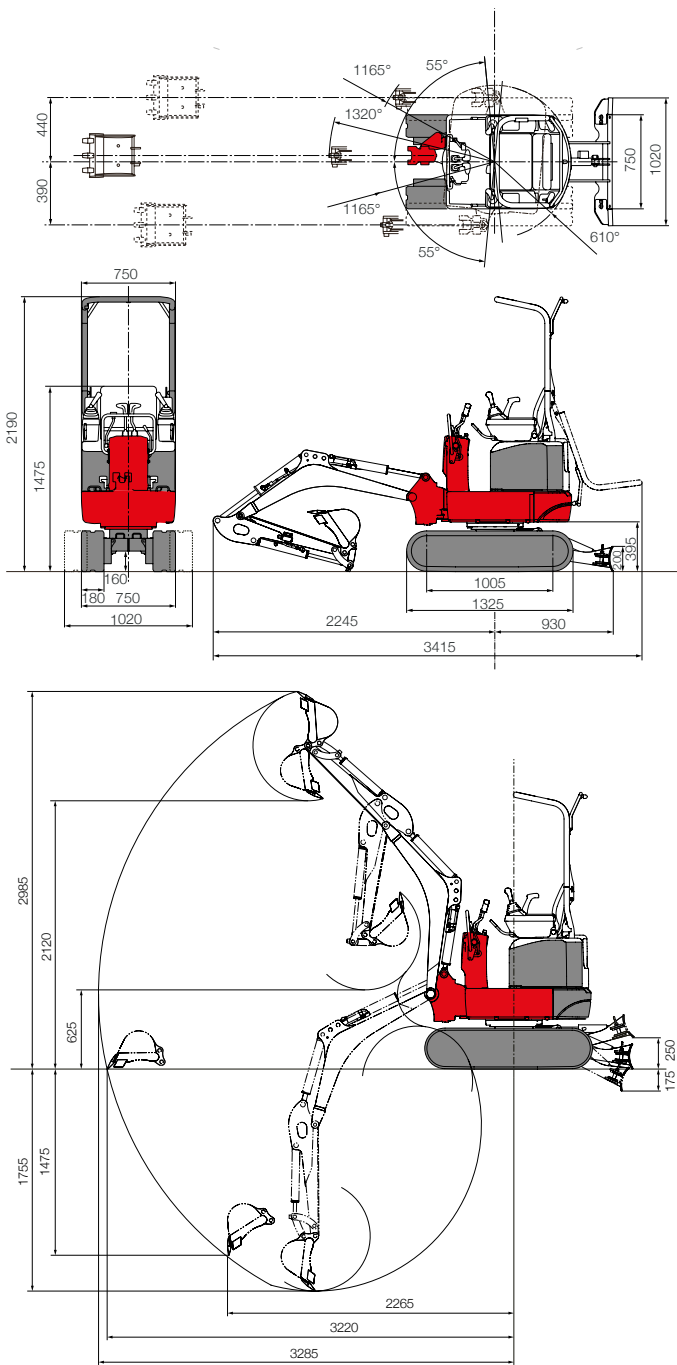
HYDRAULICS

- Top mounted boom cylinder
- Well protected internally routed hydraulic hoses
- Detent for continuous auxiliary flow - pedal lock
- Aux with independent isolation valves
- Selectable one-way & two-way auxiliary flow
- Hydraulic tank with fluid sight level gauge

UNDERCARRIAGE AND FRAME

- Expanding track frame 750-1020mm
- Mechanical locking slew brake
- Double flanged track rollers
- Adjustable dozer blade with quick-drop pin-lock width extension





TB210R Standard UK Specification Long Arm/Rubber Tracks

Engine	
Make	KUBOTA
Model	D722-E4B
Rated Output (kW)/rpm	8.9/2200
Maximum Torque (Nm)	36
Cylinders	3
Displacement (cc)	719
Electrical System	12 volt 36 amp

Dimensions & Weight	
Operating Weight inclusive of bucket and fuel (kg) with ROPS	1180
Overall Length (mm) for transport	2955
Width (mm) Extended Track	750 - 1020
Height (mm)	2190
Ground Clearance (mm)	160
Min. Radius with attachment (mm)	1320
Min. Radius at max. offset L/R (mm)	1165
Slew Radius (mm)	610
Dozer Blade W x H (mm)	750 - 1020 x 200

Operating Information	
Max Digging Depth (mm)	1755
Max Dump Height (mm)	2120
Max Reach at Ground Level (mm)	3220
Max Vertical Digging Depth (mm)	1475
Max Bucket Digging Force (kN)	11.2
Max Arm Digging Force (kN)	6.4

Hydraulic System	
Main System Pressure (bar)	182
Pump Type	Gear x 2
1st Auxiliary Maximum Flow (l/min) / Pressure (bar)	22/182

Swing System	
Boom Swing Angle (L/R)	55°/55°
Slew Speed (rpm)	10
Slew Motor	Trachoid Gear
Slew Brake	Plunger Lock

Undercarriage	
Traction Motor	Piston
Traction Drive	Epicyclic Gearing
Traction Brake	Disc
Track Width (mm)	180
Ground Contact Length (mm)	1005
Ground Pressure (kpa)	28
Travel Speed (km/h)	2.0/3.7
Maximum Gradeability	15°

Capacities	
Hydraulic System (l)	15
Fuel Tank (l)	12
Engine Lubrication (l)	2.8
Cooling System (l)	4

Health and Safety	
Noise Level Sound Power Level (LwA)	91 dB
Vibration Hand Arm / Body m/sec ²	≤2.5 / ≤0.5

**2 YEAR
2,000 HOUR**

WARRANTY

Takeuchi machines come with a 2 year/2000 hour warranty as standard.

Before fitment of a hydraulic attachment, machine auxiliary pressure and flow should be accurately measured. For all lifting specifications please refer to the lift charts on the Takeuchi website or operator manual.

In accordance with our established policy of constant improvement, we reserve the right to amend these specifications at any time without notice. Photographs shown may feature non-standard equipment.

05/2024

For more information locally contact:



SCAN ME

To find your local dealer

Takeuchi Mfg (UK) Ltd, Unit E2B Kingsway Business Park, John Boyd Dunlop Drive, Rochdale, Lancashire OL16 4NG
 info@takeuchi-mfg.co.uk www.takeuchi-mfg.co.uk

@TakeuchiUK

TAKEUCHI
From World First to World Leader